

Disc brake

Technical data and dimensions

Caliper SHD9

Fail safe braking
 Braking by spring application
 Hydraulic release
 Opening proximity switch for PLC
 (induction sensor)
 Lining wear detectors
 Association with discs thickness 30 mm

Working conditions :

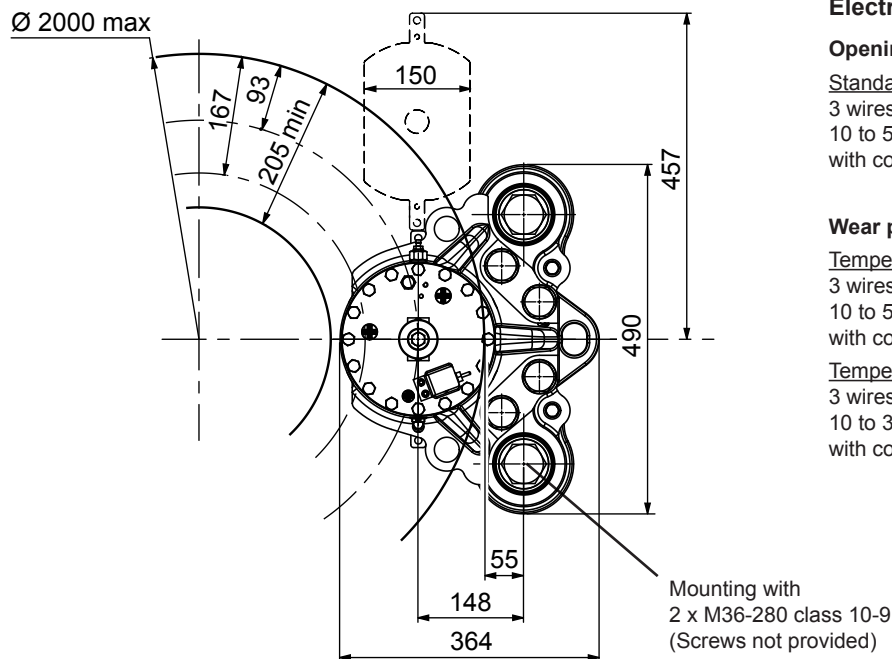
- Ambient temperature: -10°C to +60°C
 - Relative humidity $\leq 70\%$
 - Dust in atmosphere $\geq 65\mu\text{m}$
- Other conditions, consult Stromag France.

Use :

- Emergency stopping brake in case of overspeed or loss of electrical supply

Option :

- Lining wear proximity switch
- Discs thickness $24 \leq e < 30$ mm.
- Option GF :
 Ambient temperature:
 - Dynamic braking : -30°C to +60°C
 - Parking braking : -40°C to +60°C
- Marine protection



Electrical data :

Opening proximity switch

Standard caliper and caliper option GF
 3 wires PNP NO
 10 to 58 VDC 200 mA
 with connector M12

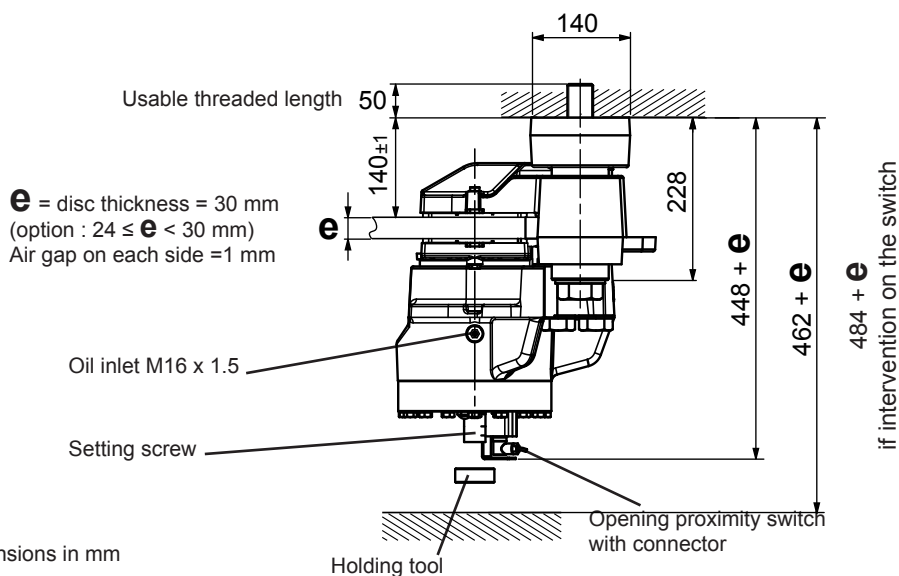
Wear proximity switch (option):

Temperature -10°C to +60°C

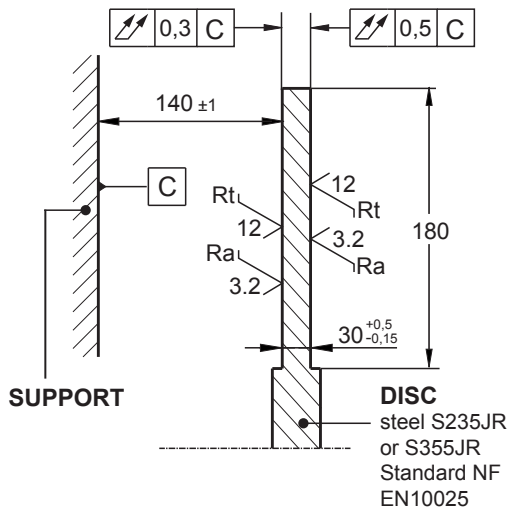
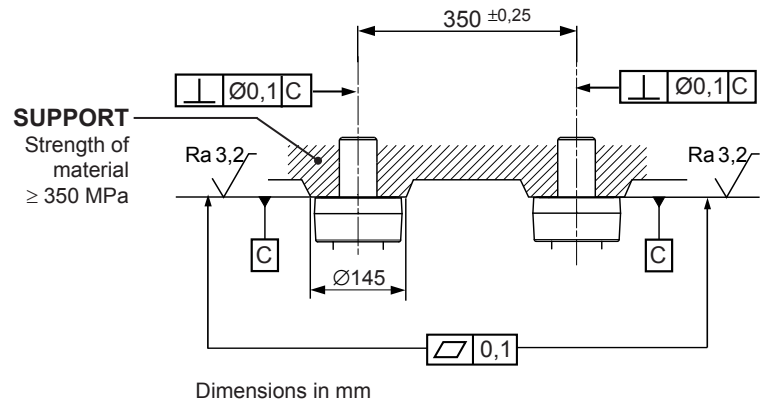
3 wires PNP NO
 10 to 58 VDC 200 mA
 with connector M12

Temperature -40°C to +60°C / Option GF

3 wires PNP NO
 10 to 36 VDC 200 mA
 with connector M12



Due to continuous development and improvement, all dimensions and characteristics are subject to change without notice.

Disc brake
Technical data and dimensions
Caliper SHD9
Installation instructions :

Tolerances of the support :


Weight: 148 kg
Torque and effort values are subject to a variation of ±10%
Response time at nominal torque ≤ 0.3s

Designation	Caliper		SHD9-6		SHD9-5		SHD9-4		SHD9-3		SHD9-2		SHD9-1	
	Lining		US2-1	US2-5	US2-1	US2-5	US2-1	US2-5	US2-1	US2-5	US2-1	US2-5	US2-1	US2-5
Braking force BF for air gap disc/ lining of 2x1mm	Dynamic	N	100 000	87 000	90 000	78 300	80 000	69 600	70 000	61 000	60 000	52 300	50 000	43 500
	Static	N	88 000	78 300	79 200	70 500	70 400	62 600	61 600	54 900	52 800	47 000	44 000	39 100
Linear speed of the disc		m/s	≤ 10											
Dynamic braking torque BT (m.N) for 1 caliper and disc ØD (mm) / D max ≤ 2000mm		N.m	BT = BF (D/2000 - 0,093)											
Regulation pressure	Minimum	bar	180		150		140		110		110		85	
	Maximum	bar	200		180		160		140		140		115	
Setting pressure limit valve of hydraulic unit		bar	225		205		185		165		165		140	
Total volume of oil displaced for air gap disc/lining of:														
2 x 1mm (nominal opening)		cm ³	28											
2 x 1,5mm (nominal opening and wear before setting)		cm ³	39											

* **US2-1:**
disc temperature during one braking ≤ 150°C
US2-5:
disc temperature during one braking ≤ 350°C,

Due to continuous development and improvement, all dimensions and characteristics are subject to change without notice.