

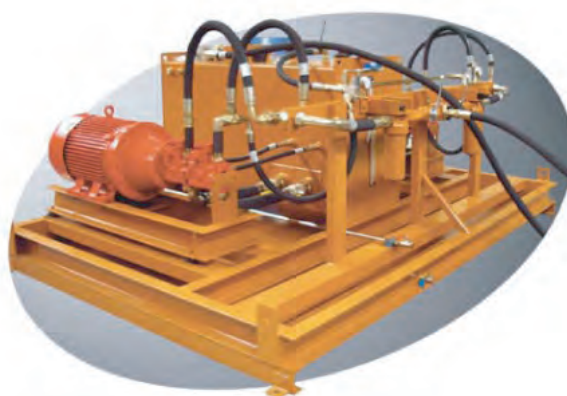
POWER UNIT G1: INDEX

MICRO POWERUNITS	BC	MICRO POWERUNIT COMPONENTS	PAGE G2
	BC	MICRO POWERUNITS	G3

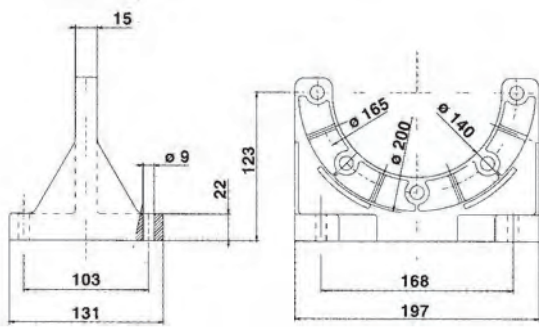
RESERVOIRS	CP	ALUMINIUM RESERVOIRS	PAGE G4
	BMC	LID MOUNTED RELIEF VALVES	G5
	ML	CETOP 3 STACKING MANIFOLD	G5

DC POWERUNITS	REN-TEK DC	CATALOGUE
---------------	------------	-----------

**CUSTOM DESIGNED & MANUFACTURED
POWERUNITS .37Kw TO 110Kw**

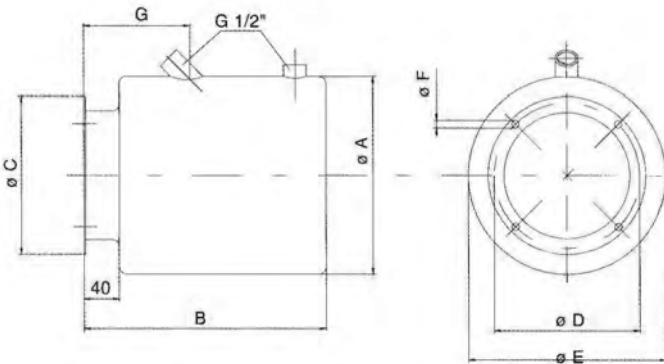


G2: 'BC' MICRO POWERUNIT COMPONENTS



FOOT FLANGE

CODE	P200
------	------



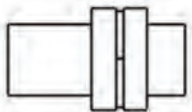
TANK

Complete with Dipstick

4 Litre

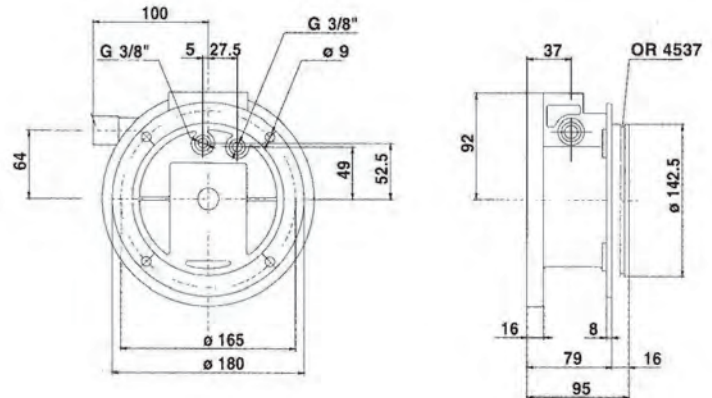
10 Litre

CODE	SC4-224	SC10-224
------	---------	----------



COUPLING

CODE
CH48G1T
S48
CH48-19
CH48-24



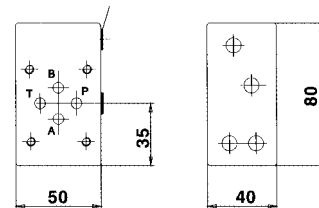
BELLHOUSING

D80 / 90 to Din Group 1

35 - 250 Bar relief valve

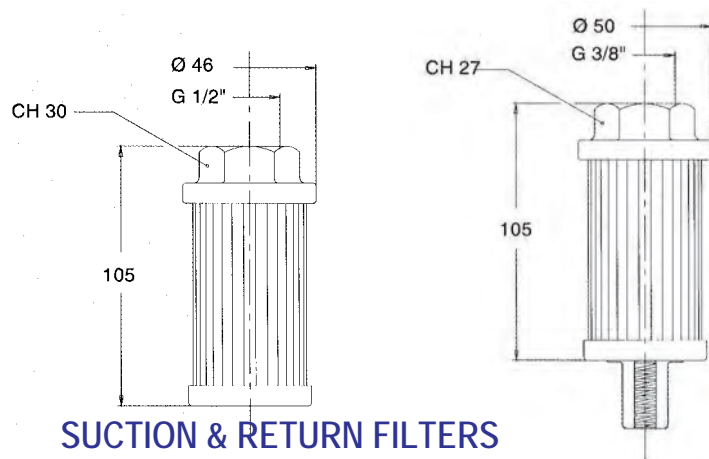
Check valve on 'P' line

CODE	BC20V2U1P
------	-----------



CETOP 3 MANIFOLD

CODE	PM06
------	------

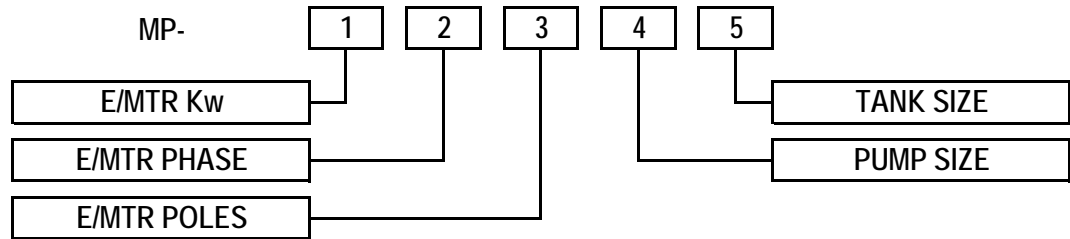


SUCTION & RETURN FILTERS

	SUCTION	RETURN
CODE	SF12-GO	F-01

G3: 'BC' MICRO POWERUNIT COMPLETE ASSEMBLIES

HOW TO ORDER



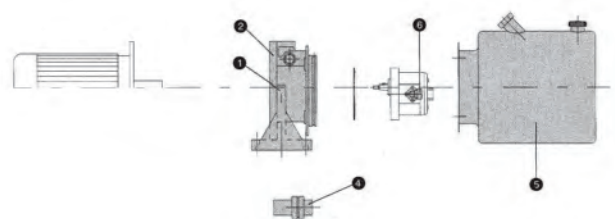
1	<u>ELECTRIC MOTOR - Kw</u>	<u>CODE</u>	4	<u>PUMP SIZE</u>	<u>CODE</u>
	0.55 Kw	0.55		0.91 cc/REV	0.91
	.75 Kw	0.75		1.17 cc/REV	1.17
	1.1 Kw	1.1		1.56 cc/REV	1.56
	1.5 Kw	1.5		2.08 cc/REV	2.08
	2.2 Kw	2.2		2.60 cc/REV	2.60
				3.12 cc/REV	3.12
				3.64 cc/REV	3.64
				4.16 cc/REV	4.16
				4.94 cc/REV	4.94
				5.85 cc/REV	5.85
				6.50 cc/REV	6.50
				7.54 cc/REV	7.54
				9.88 cc/REV	9.88
2	<u>ELECTRIC MOTOR - PHASE</u>	<u>CODE</u>			
	SINGLE PHASE	1P			
	THREE PHASE	3P			
3	<u>ELECTRIC MOTOR - POLES</u>	<u>CODE</u>			
	2 POLE (2800 rpm)	2			
	4 POLE (1440 rpm)	4			
			5	<u>TANK SIZE</u>	<u>CODE</u>
				4 Litre	4
				10 Litre	10

The micro powerunit is fully assembled and tested and comprises

Relief valve set at full Electric Motor Amps

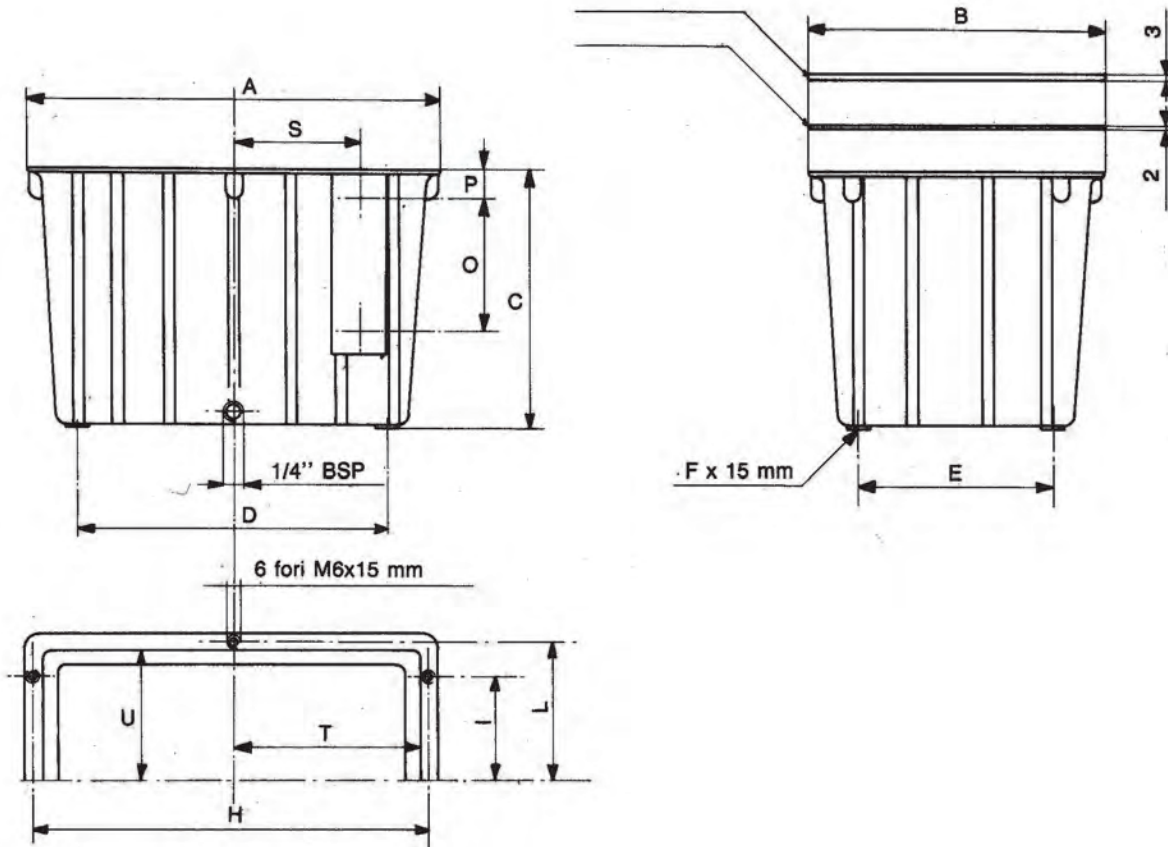
CODE
MP-0.55-1P-4-***-**
MP-0.55-3P-4-***-**
MP-0.75-1P-4-***-**
MP-0.75-3P-4-***-**
MP-1.1-1P-4-***-**
MP-1.1-3P-4-***-**
MP-1.5-1P-4-***-**
MP-1.5-3P-4-***-**
MP-2.2-1P-2-***-**
MP-2.2-3P-2-***-**

- ITEM 1 P200 FOOT MOUNT
- ITEM 2 BC20V2U1P BELLHOUSING
- ITEM 3 CH48 COMPLETE COUPLING
- ITEM 4 TANK
- ITEM 5 GROUP 1 GEARPUMP
SUCTION AND RETURN FILTER
ELECTRIC MOTOR
250 BAR4 RATING



G4: 'CP' ALUMINIUM RESERVOIRS

Supplied complete with gasket and plain lid
Pre-Cut lids available on request



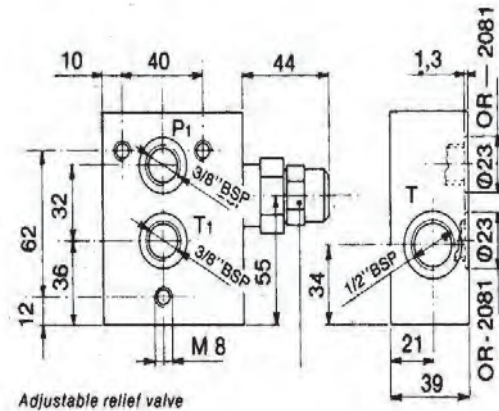
CODE	A	B	C	D	E	F	H	I	L	M	O	P	S	T	U
mm															
CP10GC	340	247	220	250	170	M8	325	80	116	M6	76	50	104	156	109
CP25MGC	490	340	285	326	176	M10	460	299	115	M8	127	50	146	224	155
CP55GC	595	385	345	400	276	M12	562	187	213	M8	127	50	175	297	192
CP75GC	595	400	365	400	276	M12	562	187	213	M8	127	50	175	297	200

G5: TANK TOP RELIEF & CETOP 3 MANIFOLD

LID MOUNTED RELIEF VALVE

CODE	BMC-VC2
------	---------

MAXIMUM FLOW	40 L/MIN
RELIEF ADJUSTMENT	35 - 175 BAR
PORT SIZE	3/8" BSPP



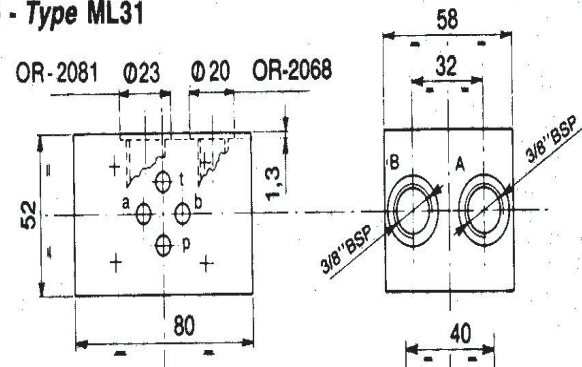
STACKABLE CETOP3 MANIFOLD

USED WITH BMC-VC2 RELIEF VALVES

CODE	ML31
------	------

MAXIMUM FLOW	40 L/MIN
MAXIMUM PRESSURE	280 BAR
PORT SIZE	3/8" BSPP

Tipo - Type ML31



BMC-VC2 TO OMTF40 ADAPTOR

CONNECTION OF BMC-VC2 RELIEF VALVES TO OMTF40 SERIES FILTERS

CODE	R12MC
------	-------

PORT SIZE	1/2" BSPP
-----------	-----------

Tipo - Type R12MC

