

Disc brake

Technical data and dimensions

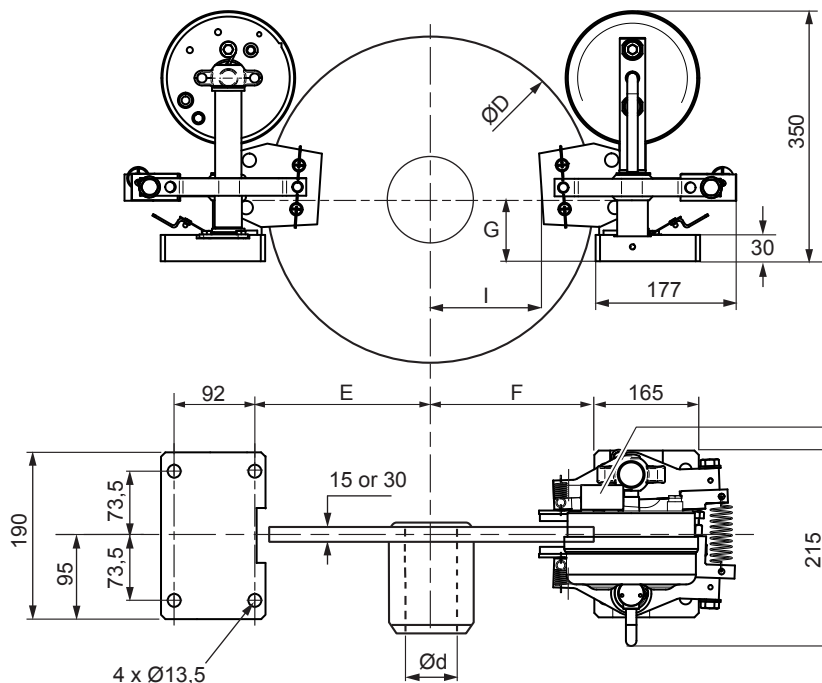
Caliper 645

Fail safe braking
 Spring application
 Electromagnetic release
 Manual wear compensation
 Brake pads with wear indicator
 Opening proving switch for PLC
 With coil supply wire: 2 x 2mm², length 2m

Conditions of use:
 • Ambient temperature -10°C to +60°C
 • Relative humidity ≤ 70%
 • Dust in atmosphere ≥ 65µ
 Other conditions, consult Stromag France.

Options:
 • Manual release lever or hydraulic release
 • Mounting on vertical axis disc
 • Marine protection
 • Closing proving switch
 • Manual release switch

Use:
 • Service brake for application ≤ 150 stops/h



Opening proving switch

Opening proving switch :
 250VAC maxi., 5A maxi., with interrupting capacity: 50VA maxi.
 220VDC maxi., 5A maxi., with interrupting capacity: 50W maxi.

Compatible with PLC (Programmable Logic Controllers). An opening switch used with other equipment than PLC must not be reused with a PLC.

Weight: 35kg
 Response time at nominal torque $\Delta t \leq 0.25$ s

Designation	Discs	solid and thickness 15 mm						self-ventilated and thickness 30 mm						
		380	520	600	700	780	920	380	440	520	600	700	780	920
Nominal torque for 1 caliper adjustable from -30% to +20%	N.m	380	520	600	700	780	920	380	440	520	600	700	780	920
Maximum speed of the disc for nominal torque	rpm	3000	2400	2100	1900	1800	1500	3000	2700	2400	2100	1900	1800	1500
D	mm	315	395	445	495	550	625	315	355	395	445	495	550	625
d	mm	0-75	0-75	0-75	0-100	0-100	0-100	0-50	0-60	0-70	0-70	0-100	0-100	0-100
E	mm	173	213	238	263	293	328	173	193	213	238	263	293	328
F	mm	161	201	226	251	281	316	161	181	201	226	251	281	316
G	mm	95	80	70	65	65	45	95	80	80	70	65	65	45
I (approx. dimension)	mm	76	116	141	166	196	231	76	96	116	141	166	196	231
Max. reaction on shaft	1 caliper	3850						3850						
	2 calipers	405	405	810	895	780	1230	405	515	450	810	895	780	1230

Due to continuous development and improvement, all dimensions and characteristics are subject to change without notice.

Discs	Leaflets	No. T02100-01, T02220-01	Options	Leaflets	No. A08100-01	22/06/11
Drawings		No. G06400-01	Power supplies AC64	No. T04500-01, T04560-01, T04510-01, T04500-02		
Installation and maintenance		No. M08100-01	Power supplies DC64	No. T04530-01, T04540-01		
Spare parts		No. S09100-01				T03250-01-C