

Disc brake

Technical data and dimensions

Calipers 650 and 660

Fail safe braking
 Spring application
 Electromagnetic release
 Manual lining wear compensation
 Brake pads with wear indicator
 Opening proving switch for PLC
 With coil supply wire: 2 x 2mm², length 2m

Conditions of use:

- Ambient temperature -10°C to +60°C
- Relative humidity ≤ 70%
- Dust in atmosphere ≥ 65μ

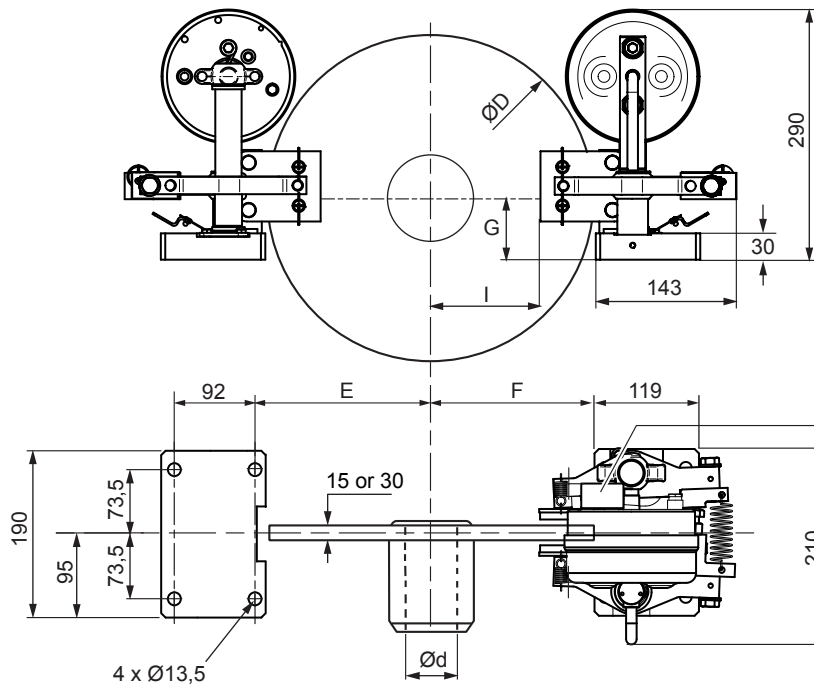
Other conditions, consult SIME-Stromag.

Use:

- Service brake for application ≤ 150 stops/h

Options:

- Manual release lever or hydraulic release
- Mounting on vertical axis disc
- Marine protection
- Closing proving switch
- Manual release switch



Opening proving switch :
 250VAC maxi., 5A maxi.,
 with interrupting capacity: 50VA maxi.
 220VDC maxi., 5A maxi.,
 with interrupting capacity: 50W maxi.
 Compatible with PLC
 (Programmable Logic Controllers).
 An opening switch used with other
 equipment than PLC must not be
 reused with a PLC.

Opening switch with wire
 3 x 0.75mm² and length 2m.

Weight: 19kg

Response time at nominal torque : - caliper 650 : ≤ 0.25 sec. / - caliper 660 : ≤ 0.3 sec.

Discs	Thickness 15 mm										Thickness 30 mm					
	5000	4300	3600	3000	2400	2100	1900	1800	1500	3000	2700	2400	2100	1900	1800	1500
Maximum speed of the disc for nominal torque	tr/mn															
D	mm															
d	mm															
E	mm															
F	mm															
G	mm															
I (approx. dimension)	mm															
Caliper 650 :																
Nominal torque for 1 caliper adjustable from 100% to 50%	N.m															
Max. reaction on shaft	N															
Caliper 660 :																
Nominal torque for 1 caliper adjustable from 100% to 60%	N.m															
Max. reaction on shaft	N															

Due to continuous development and improvement, all dimensions and characteristics are subject to change without notice.

Drawings	Leaflets No. G06400-01	Discs	Leaflets	No. T02100-01, T02160-01, T02220-01	17/02/15
Installation and maintenance	No. M08100-01	Power supplies AC64	No. T04500-01, T04560-01, T04510-01, T04500-02		
Spare parts	No. S09100-01	Power supplies DC64	No. T04530-01, T04540-01		
Options	No. A08100-01				

T03150-01-E