



# *Bulk Bag Unloading Stations*



*Standard & enhanced  
models available*

*Discharger enhances  
product flow*

*Minimal components  
– less maintenance*

*Optional upgrades  
available*

*Custom built per  
application needs*

# **RENOLD**

*Superior Technology*

[www.renold.com](http://www.renold.com)

# Bulk Bag Unloading Stations

The standard Renold Ajax Bulk Bag Unloader incorporates a unique molded 1/2" thick, FDA approved polymer discharger. The curved profile was developed to enhance product flow utilizing minimal components. Activating the electric vibrator increases flowability of stubborn products, and can be pulsed to vary the flow rate. The enhanced model can be fabricated from Carbon or Stainless steel with custom sizes available. Renold's Bulk Bag Unloaders are designed for flexibility and will accommodate changes without having to purchase expensive retrofit components or another unloading station. The discharger will accept bags 30" square or round and larger.

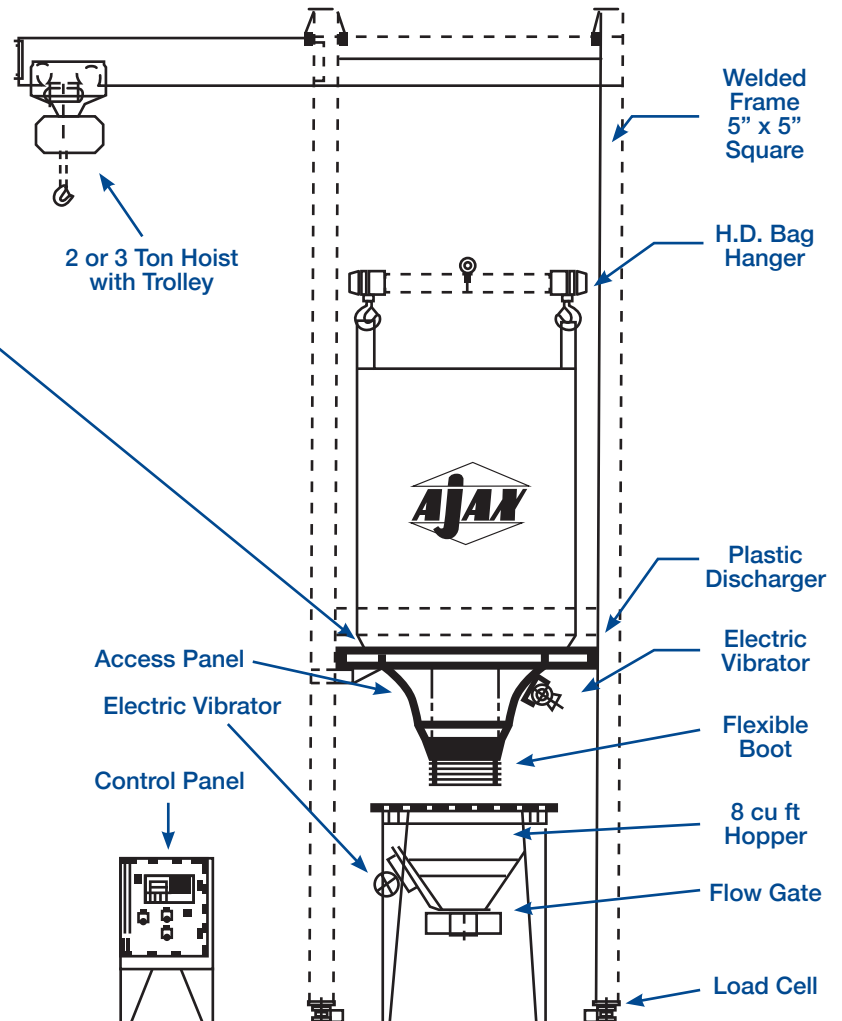
Users of Bulk Unloaders receive products from many suppliers. It is not uncommon for bulk bags to vary in straight wall height and stirrup lengths. The upper bag frame support can be adjusted to accommodate these differences.



# Build Your Own Unloader

## Plastic Discharge Unit and Vibrator

Discharger body is manufactured from 1/2" thick, FDA approved, chemically resistant polyethylene polymer. Provides dust free unloading of bulk bags. Hinged and toggle lock access panel to interface with bag discharge spout. Includes model R/KMB6-4S Rotary Electric Vibrator to induce flow. Special contour design with vibrator assistance guarantees complete and total flow of product. This will cause the bag bottom to follow the flow pattern.



- BBU-20** Medium duty **welded frame**. (3" x 3" or 4" x 4") square tubing.
- BBU-30** Heavy duty welded frame (5" x 5") square tubing with plastic discharge unit and vibrator, Includes **2 or 3-ton hoist** and motorized trolley.
- BBU-40** Heavy duty welded frame (4" x 4" or 5" x 5") square tubing with plastic discharge unit and vibrator. Includes: weigh batching indicator, **load cells** and NEMA 4x summing box, operators control panel and/or 2- or 3-ton (air/electric) hoist and motorized trolley.

### Optional Components

- Surge hopper with hinged cover and vibrator
- Flow valve, 2 position (open/close)
- Inclined screw conveyor—built to suit
- Iris valve or rotary actuator
- Dual side wall stimulators with vibrators
- Work platforms

For more information about your process or your bag unloading requirements, contact our Engineers in our Material Handling Department at 1-800-879-2529.

**Renold Ajax**

100 Bourne Street  
Westfield, NY 14787-0546  
Toll Free Tel: 1-800-879-2529

**Renold Canada**

622 Rue De Hull  
Ville La Salle  
Quebec, Canada H8R 1V9  
Toll Free Tel: 1-800-265-9970  
Tel: (514) 367-1764  
Fax: (514) 367-4993

***RENOLD***  
*Superior Technology*